



40W (1/18.5 HP)

TERMINAL BOX TYPE REVERSIBLE MOTORS Frame size 90mm sq. (3.54 in. sq.)

Single-Phase

BOX TYPE

SPECIFICATIONS

30MIN. DUTY, INSULATION CLASS A or E, 4POLES

Model	Output		Voltage (V)	Frequency (Hz)	Rated						Starting Torque			Capacitor (μ F)
	(HP)	(W)			Input (W)	Current (A)	Torque			Speed (rpm)	(kg-cm)	(N-m)	(oz-in)	
							(kg-cm)	(N-m)	(oz-in)					
L9R40□C LTB	1/18.5	40	1 \varnothing 100	50	110	0.91	3	0.294	41.66	1300	2.8	0.274	38.88	15
L9R40□D LTB	1/18.5	40	1 \varnothing 200	50	110	0.46	3	0.294	41.66	1300	2.8	0.274	38.88	4
L9R40□B LTB	1/18.5	40	1 \varnothing 220	60	120	0.54	2.5	0.245	34.72	1600	3.6	0.353	49.99	4
L9R40□E LTB	1/18.5	40	1 \varnothing 115	60	110	1.0	2.5	0.245	34.72	1600	2.8	0.274	38.88	12
L9R40□X LTB	1/18.5	40	1 \varnothing 220~240	50	110	0.52	3	0.294	41.66	1300	3.4	0.333	47.22	3.5

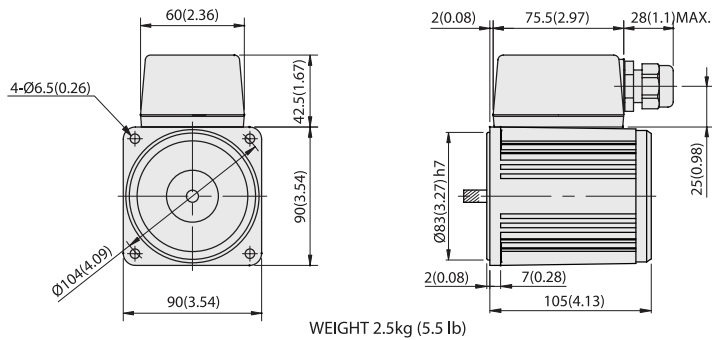
- * Model in grey screen represents the motors with THERMALLY PROTECTED according to UL regulation.
- * Model in dark grey screen represents the motors with THERMALLY PROTECTED according to CE regulation.
- * In case of some models certificated for export, the special cord like CE or UL is added after the existing model no. ex) L9I60□XH-CE, L9I60□EH-UL.
- * Insulation class for motors which acquired certificates for export is B.

TERMINAL BOX TYPE REVERSIBLE MOTORS

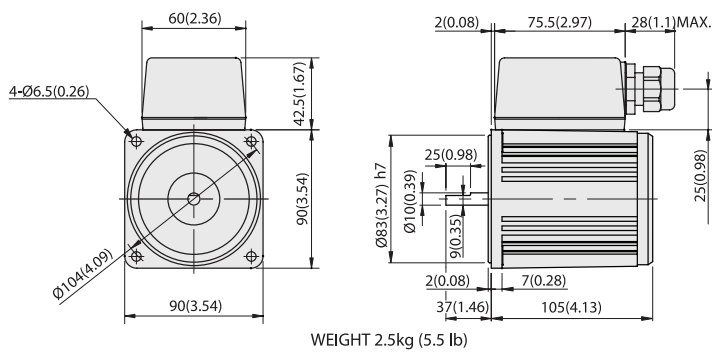
DIMENSIONS

L9R40P□ LTB

Unit : mm(inch)

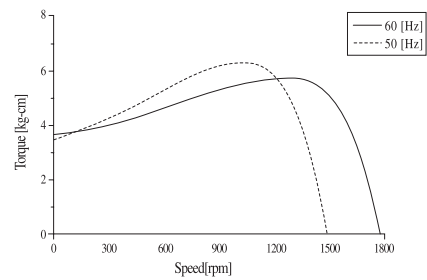


L9R40D□ LTB



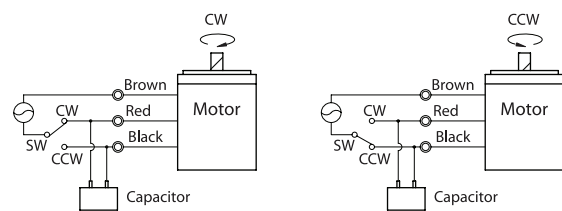
SPEED-TORQUE CURVE

Single phase L9R40□□ LTB



CONNECTION DIAGRAMS

Standard or with T.P



The direction of rotation is seen from the end of motor shaft.